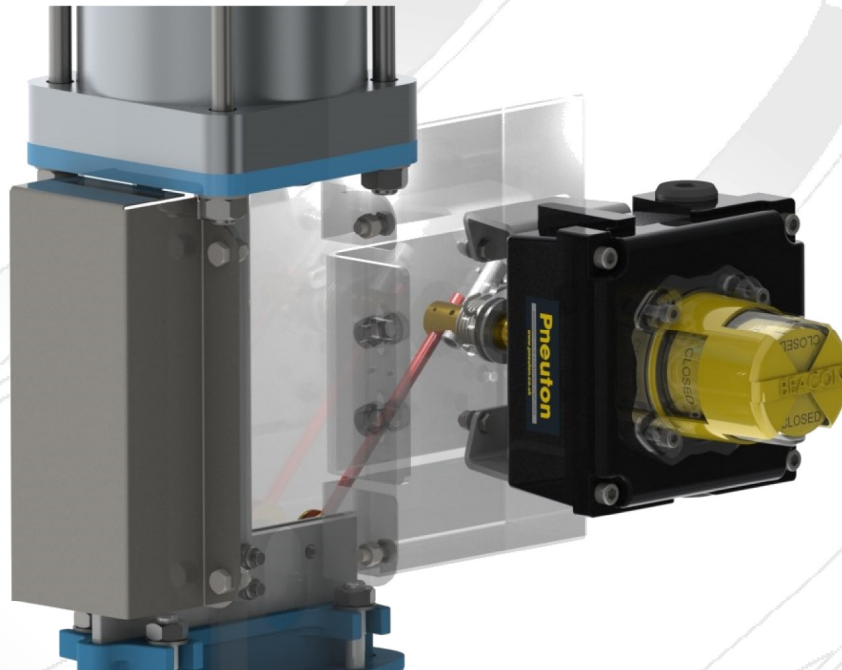


#### ATEX (INTRINSICALLY SAFE)

#### INTRODUCTION

PneuLINK™ linear system is manufactured from 316 stainless steel and brass materials. The ergonomic design ensures an easy set up, trouble free installation and maintenance free operation. The PneuLINK™ dynamic mechanism is both self-compensating and self-aligning, with minimal backlash and hysteresis, for high repeatability and total reliability.

The Valve Position Monitor (VPM) acts as an integral junction box, which facilitates a single multi-core cable for the discrete inputs (DI), reducing site cabling and installation costs. PneuLINK™ linear Valve Position Monitor system offers total installation flexibility and can be fitted in various pre-selected positions (refer page 3).



#### Ex II 1GD Ex ia IIC T6..T4 IP6X

#### FEATURES AND BENEFITS

- For use within potentially explosive atmospheres.  
Ex II 1G Ex ia IIC T6 to T4 Ga  
Ex tb IIIC T135°C Da IP6X  
Temperature rating:  $-20^{\circ}\text{C} \leq \text{Tamb} \leq +55^{\circ}\text{C}$
- IP66/67 Engineered Resin enclosure ensures both strength and corrosion resistance for installation in harsh environments.
- Beacon shaped visual indication provides 360° visual feedback of valve OPEN (Black) or CLOSED (Yellow) positions.
- Black / Yellow colours, as a visual indicator, offers high visibility integrity, and is colour impaired friendly.
- Touch set cams are hand adjustable, spring loaded and self-locking, providing quick calibration of position switches and sensors.
- NAMUR inductive proximity switches or SPDT REED switches
- NAMUR VDI/VDE standard mounting arrangement.
- Quick release design of terminal strip bracket allows removal of the terminal strip, which is pre-wired and numbered, to aid field wiring at commissioning and installation stage.
- M20 conduit entries fitted with ATEX certified, IP rated plugs as standard to avoid ingress during site storage and transportation prior to installation.
- Extra conduit and terminal strip points for easy field wiring and mounting of accessories as standard.
- NAMUR VDI/VDE standard mounting arrangement.
- Switch centralization plate allows for the accurate setting of switches, improved repeatability, and minimises hysteresis.



For More information scan the QR Code on the left or visit <http://www.pneuton.co.uk/>

Copyright © 2014 PNEUTON. All rights reserved. 801 006 XXX (10/14)

We reserve the right to amend the specification without prior notification

### ATEX (INTRINSICALLY SAFE)

### TECHNICAL SPECIFICATION

The Valve Position Monitor contains two switches to indicate the fully open and closed positions of the valve – refer below options

#### STANDARD

#### P&F NJ2-V3-N Inductive

Solid state NAMUR inductive proximity sensor

Switching element : NAMUR normally closed

Nominal voltage : 8V DC

Output polarity : NAMUR

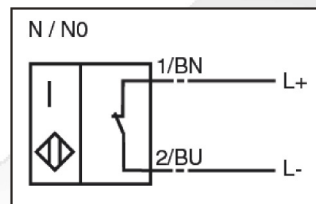
Switching frequency : 0...1000Hz

Electrical Parameters :  $C_i = 40\text{nF}$  /  $L_i = 50\mu\text{H}$

#### Current consumptions:

Target present  $\leq 1\text{mA}$

Target absent  $\geq 3\text{mA}$



#### OPTION 1

#### Magnum XT-90 Switches SPDT

Magnum XT-90 hermetically sealed proximity switch

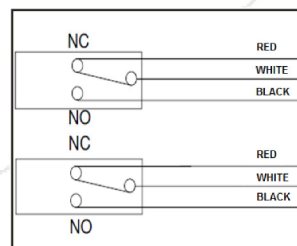
Single Pole Double Throw – Form C

Rhodium Contacts

#### Resistive Loads

0.2A @ 120VAC

1.0A @ 24VDC



Refer **Dr Pneuton** for guidance!

#### OPTIONS

#### Switches & Transmitters

P&F cylindrical inductive proximity sensors – types NC.... & NJ....

P&F SN sensors – type NJ....

P&F slot-type indicators – types SJ.... & SC....

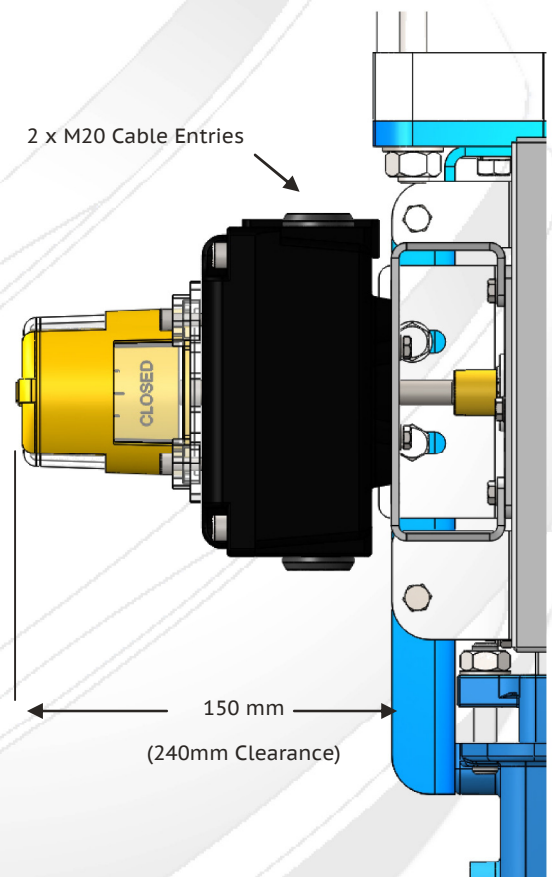
Resistive position transmitters (RS)

Current position transmitters (CS), 2 wire loop powered, 4-20mA DC

Conduit entry options: M25 x 1.5, 1/2" NPT or 3/4" NPT

**Note:** Consult the ATEX certificate for guidance on area classifications and maximum permitted ambient, when different devices are fitted!

Refer **Dr Pneuton** for guidance!



For More information scan the QR Code on the left or visit <http://www.pneuton.co.uk/>

Copyright © 2014 PNEUTON. All rights reserved. 801 006 XXX (10/14)

We reserve the right to amend the specification without prior notification

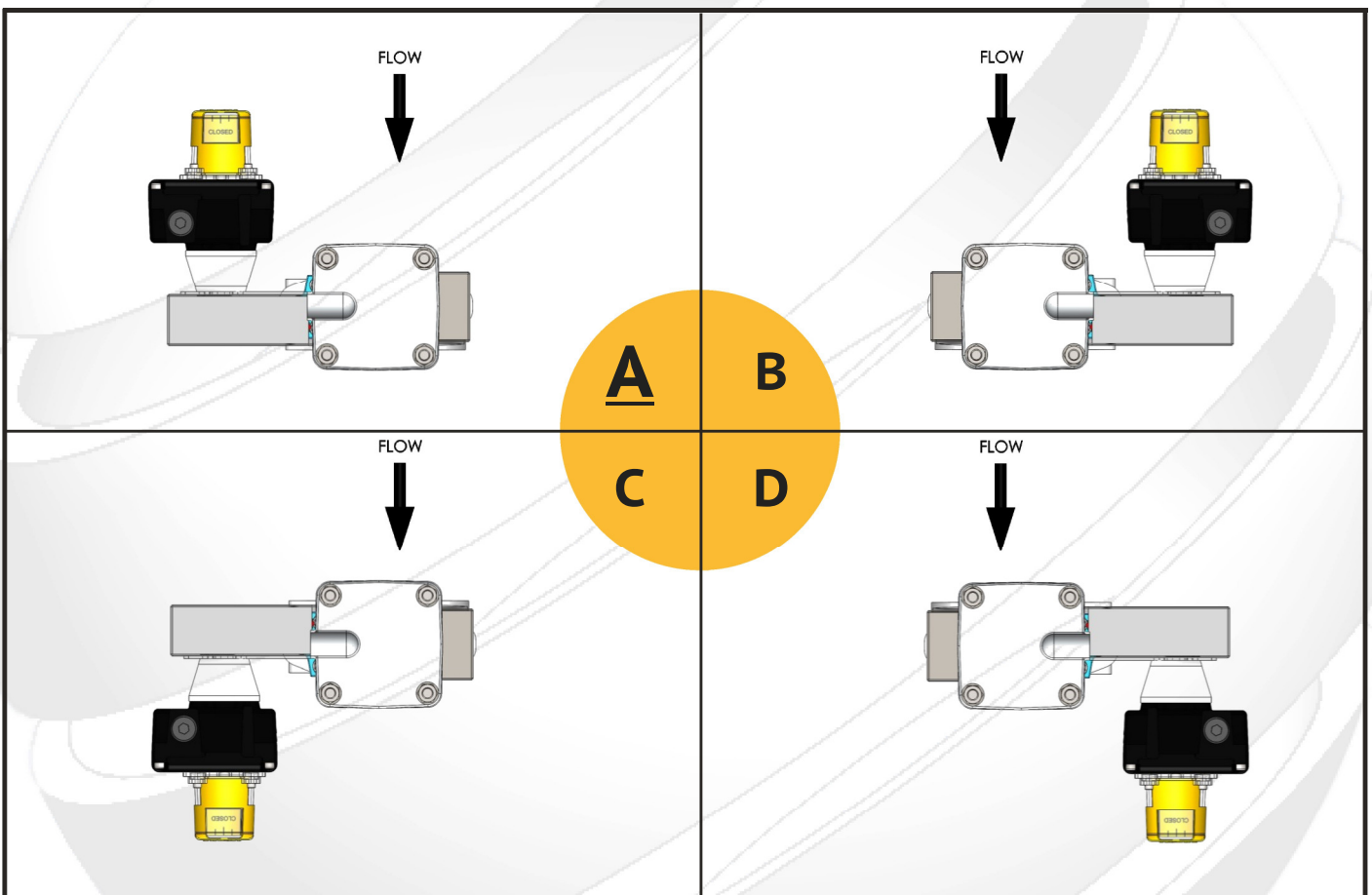
### ATEX (INTRINSICALLY SAFE)

### CONFIGURATOR

The default VPM configuration is Code **A**.

It is important that the preferred configuration is defined at point of order.

Refer to optional configurations illustrated below.



Images shown from actuator end view



For More information scan the QR Code on the left or visit <http://www.pneuton.co.uk/>

Copyright © 2014 PNEUTON. All rights reserved. 801 006 XXX (10/14)

We reserve the right to amend the specification without prior notification

# Pneuton

ENGINEERING VALVE AUTOMATION COMPLIANCE

## PneuLINK™

### VALVE POSITION MONITOR

**ATEX (INTRINSICALLY SAFE)**

**Notes**

Units 6-7 Clock Park,  
Shripney Road,  
Bognor Regis,  
West Sussex,  
United Kingdom,  
PO22 9NH.

Phone UK & Ireland : 01243 810240  
Phone Int.l: +44 (0) 1243 860664

Email: [webenquiries@pneuton.co.uk](mailto:webenquiries@pneuton.co.uk)



For More information scan the QR Code on the left or visit <http://www.pneuton.co.uk/>

Copyright © 2014 PNEUTON. All rights reserved. 801 006 XXX (10/14)

We reserve the right to amend the specification without prior notification